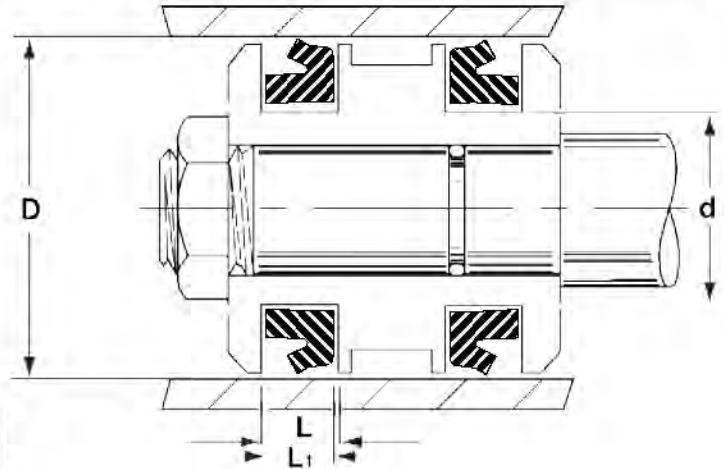


C2 - Nitrile Piston U-Cups - Metric


ALTERNATIVE SEALS:

Piston: MUPH, MA23, MA21, MA22, E4


EXAMPLE: C2-6X12X4

Prefix	Inside Diameter		Outside Diameter		Height
C2-	6	x	12	x	4
	6mm		12mm		4mm

C2 style piston seals have excellent sealing performance despite the small profile. Extremely low friction is experienced because of the short contact area at the sealing surface. These piston seals are manufactured undersized on the internal diameters in relation to the nominal dimensions. This ensures the required tight fit and eliminates heel drag on the dynamic surface. Only after installation will the sealing lip diameter show the desired dimensions. Profile C2 piston seals stretch easily into the groove

of one-piece pistons. Standard material is 84 durometer nitrile, and may be used at a temperature range of -65° to 220° F in hydraulic applications and -65° to 180°F in pneumatic applications. Maximum working pressure for hydraulic use is 2350 PSI and for pneumatic use is 235 PSI.

Temperature: -65°F to 220°F (see above)

Pressure: 0 to 2,350 PSI (see above)

Part Number	Groove-Diameter d	Bore Diameter D	Seal Height L ₁	Groove Height L
C2-6X12X4	6	12	4	5
C2-8X12X3	8	12	3	4
C2-8X14X4	8	14	4	5
C2-8X16X5.5	8	16	5.5	6.5
C2-10X16X4	10	16	4	5
C2-10X18X5	10	18	5	6
C2-12X20X5.5	12	20	5.5	6.5
C2-18X26X5.5	18	26	5.5	6.5
C2-20X28X5.5	20	28	5.5	6.5
C2-20X30X7	20	30	7	8
C2-26X36X7	26	36	7	8
C2-32X40X5.5	32	40	5.5	6.5
C2-37X45X4	37	45	4	5
C2-40X50X7	40	50	7	8
C2-45X55X7	45	55	7	8
C2-73X85X8.5	73	85	8.5	9.5
C2-88X100X8.5	88	100	8.5	9.5
C2-140X160X14	140	160	14	15
C2-160X180X14	160	180	14	15
C2-180X200X14	180	200	14	15